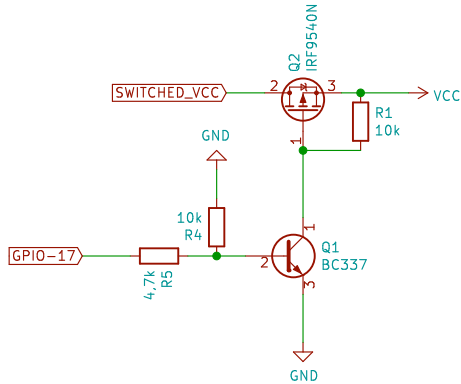
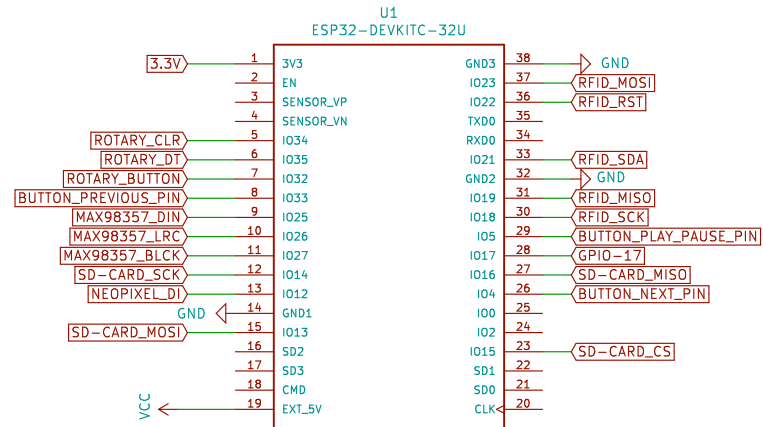


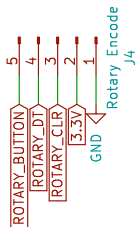
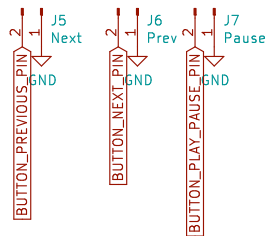
Switched 5V (Deep Sleep)



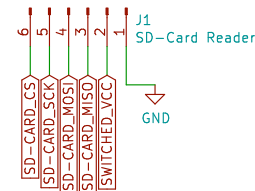
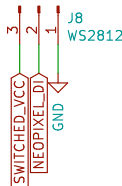
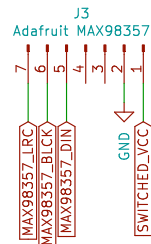
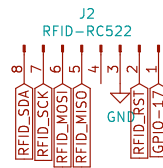
ESP-32



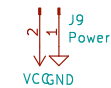
Inputs Interfaces



Breakout Boards



Power Supply



Sheet: /
File: TONUINO-ESP32_2.sch

Title:

Size: A4 Date:
KiCad E.D.A. kicad (5.1.8-0-10_14)

Rev:
Id: 1/1